

101

C O P E N H A G E N



Big Foot Stool - Sheepskin

Designed by

Kristian Sofus Hansen &
Tommy Hyldahl

Big Foot Stool - Sheepskin

Product Description

The Big Foot Stool is more than just a seat it's a bold expression of style and creativity.

Inspired by the iconic 1970s upholstery movement, its thick cylindrical legs and geometric form exude confidence and charm. Whether used as an extra seat that moves effortlessly wherever needed or as a sculptural centrepiece that commands attention, this versatile piece transforms any space into a sanctuary of comfort and design. Elevate your surroundings with a statement that blends function, artistry, and timeless appeal.

Upholstered in luxurious Sandshell Sheepskin adding a subtle, earthy elegance and a rich texture and warm tone that elevates the seating experience with a touch of natural luxury. Carefully selected for its superior quality and aesthetic appeal, Sandshell Sheepskin enhances the collection's signature design, ensuring that each stool is not only visually stunning but also invitingly cozy.

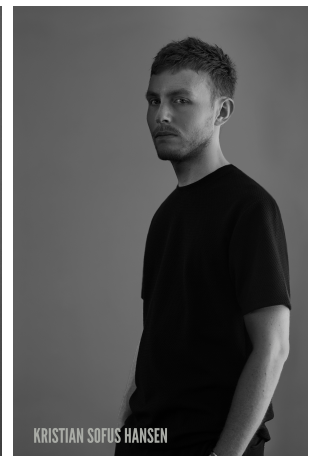
Designer Description

Tommy Hyldahl and Kristian Sofus Hansen intertwine their distinct sensibilities to create designs where storytelling, materiality, and timeless form meet in quiet harmony.

With a background in fashion, Tommy brings an intuitive eye for trends, colors, and textures. His process is one of layering histories, blending details and references from past design periods and reimagining them into something fresh and contemporary. Each collection unfolds as a narrative, evolving from concept to creation, with every element contributing to a greater story.

Kristian, who has lived and studied in Japan, seeks to unite Japanese aesthetics with Danish design, creating a characteristic twist on simplicity itself. His work is defined by the search for subtle, original details that elevate each piece with a unique signature. Drawing inspiration from art and sculpture, his creative process unfolds in new and exciting ways, always striving to craft designs that are both functional and timeless.

Together, they craft design that transcends time, poetic yet practical, expressive yet enduring.



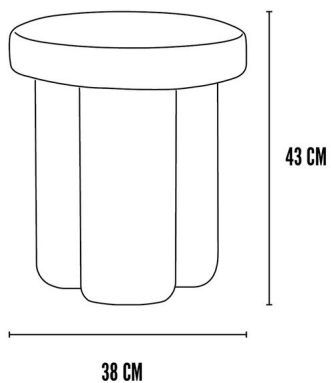
Big Foot Stool - Sheepskin

Main

SKU	244004	Product Family	Big Foot
Product name	Big Foot Stool - Sheepskin	Color	Sandshell
Product Type	Stool	Size	Regular
		Unit	Piece

Logistics

EAN number	4251501412083	Package - CBM	0.072
Package height in cm	45.00	Package - Weight KG	7.000
Package width in cm	40.00	Tariff Code No	9401610000
Package length in cm	40.00	Country of origin	China
Suitable for Courier	Yes	Quantity of Inner Boxes	1



Big Foot Stool - Sheepskin

Product

Materials	Merino Sheepskin	Net weight in kg	6.3
Item Height in cm	43.00	Space Suitability	
Item width in cm	38.00	Strength Test	No
Item length in cm	38.00	FSC Wood	No

Upholstery

Fabric	Sandshell (Sheepskin)	Cigarette Test - CAL-117	Yes
Martindale	50.000	Cigarette Test - EN 1021-1	No
Colour Fastness to Light	N/A	Cigarette Test - BS5852 Part 1	No
Pilling	N/A	Match Flame Test - EN 1021-2	No
Oeko Tex	Yes	Ignition Source 5 (Crib 5) - BS 5852 Part 2	No
Fire Test Foam	CAL-117	NF P92-507 - Class M1	No

Big Foot Stool - Sheepskin

Family Description Text

The Big Foot Collection is more than furniture; it is a sculptural language of bold forms and quiet strength. Rooted in the spirit of the 1970s yet reimagined for the present, it carries a presence that feels both commanding and inviting. Inspired by brutalist architecture and contemporary sculpture, each piece is anchored by its iconic cylindrical legs, modern in expression and timeless in character, lending every design a sense of quiet monumentality.

Within the collection, two worlds converge: the warmth of upholstery and the raw allure of fiber concrete. The upholstered pieces wrap their geometric silhouettes in softness, balancing resilience with comfort and offering a tactile invitation to pause, sink in, and stay. The fiber concrete designs, by contrast, suggest weight and permanence yet reveal themselves as astonishingly light, effortless to move, and full of surprising ease.

Every surface whispers a story. Upholstered in rich textiles, the pieces exude warmth and refinement, while the hand-painted concrete reveals a raw beauty that recalls the poetry of architecture and the fluid grace of sculpture. Together they speak in contrasts of softness and strength, permanence and change, intimacy and bold expression, woven into a harmonious dialogue of form and feeling.

The Big Foot Collection is sculpture for living. Each piece holds a commanding presence, whether standing as a centerpiece or quietly shaping the atmosphere of a room. With bold forms and hand-painted details, the collection transforms everyday function into art, turning spaces into sanctuaries where design and life merge seamlessly.

Color Description

A naturally warm sandy beige with unique tonal variations in the wool. The organic shifts in shade give the sheepskin depth and a gentle, inviting character.

Big Foot Stool - Sheepskin

Maintenance Guide Description

Sheepskin is a natural material prized for its softness, warmth, and luxurious texture. To maintain its beauty, shake or gently brush the surface regularly with a soft pet brush to restore the natural pile and prevent matting. Vacuum occasionally with a low-suction setting and a plain nozzle attachment avoid rotating brushes, which can damage the fibers.

For spills, act quickly: blot with a clean, dry cloth to absorb as much liquid as possible. Avoid rubbing, as this can push moisture deeper into the hide. Allow the area to air-dry naturally, away from direct heat or sunlight. For light soiling, use a damp cloth with lukewarm water and gently dab the area; for more persistent stains, professional cleaning by a specialist in sheepskin is recommended.

Keep sheepskin upholstery away from direct sunlight to prevent fading, and avoid excessive humidity or dampness to protect the hide. With regular care, sheepskin will retain its natural comfort, softness, and timeless appeal for many years.

Materials Description

Renowned for its natural softness, warmth, and lasting durability, Merino sheepskin from New Zealand brings both comfort and refinement to any interior. Its dense, silky pile creates a plush, supportive texture, while the timeless aesthetic lends subtle luxury and depth. Over time, this living material develops a rich character, balancing practicality with enduring elegance.

The finely crimped Merino wool produces a luxuriously soft yet resilient fleece, designed to feel both inviting and supportive. Crafted to the highest production standards and certified mule sing-free, this sheepskin reflects a commitment to both quality and animal welfare. Naturally enriched with lanolin, the wool carries a protective and self-cleansing quality, making it as easy to care for as it is beautiful.